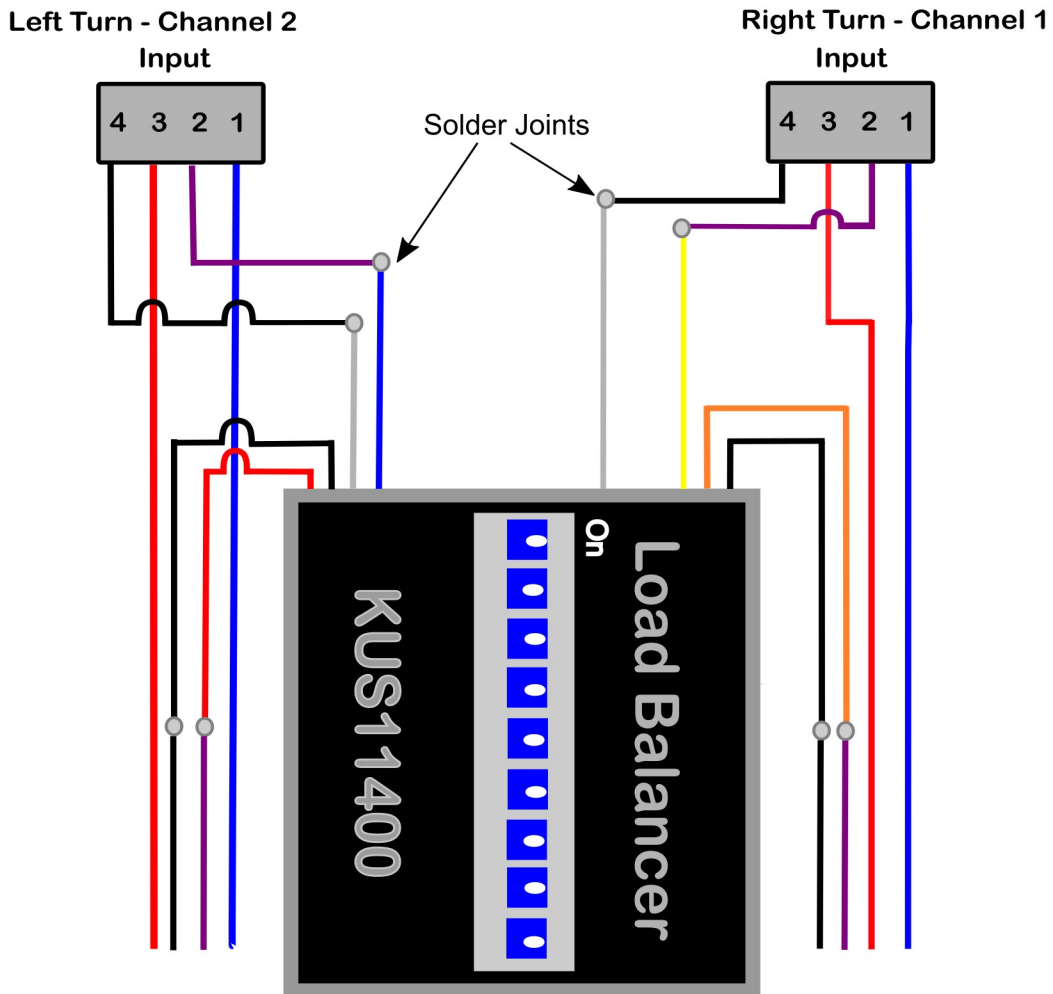


Rear Install Kit with Load Balancer KUS11400



HD with stock taillight configuration
 Blue=Running Light (LED Yellow)
 Violet= Turn Signal (LED Brown)
 Red=Brake Light (LED Red)
 Black=Ground (LED Black)
 BCM set to "Dedicated Taillight"
 Amber Turn Signal Color

HD with turn signals only-No stock taillight configuration
 Blue= Running Lights (LED Yellow)
 Violet=Turn Signals and Brake Light (LED Red)
 Red=Not Used (LED Brown not used either)
 Black=Ground (LED Black)
 BCM must be set to "Turn Signals Only"
 Red Turn Signal Color